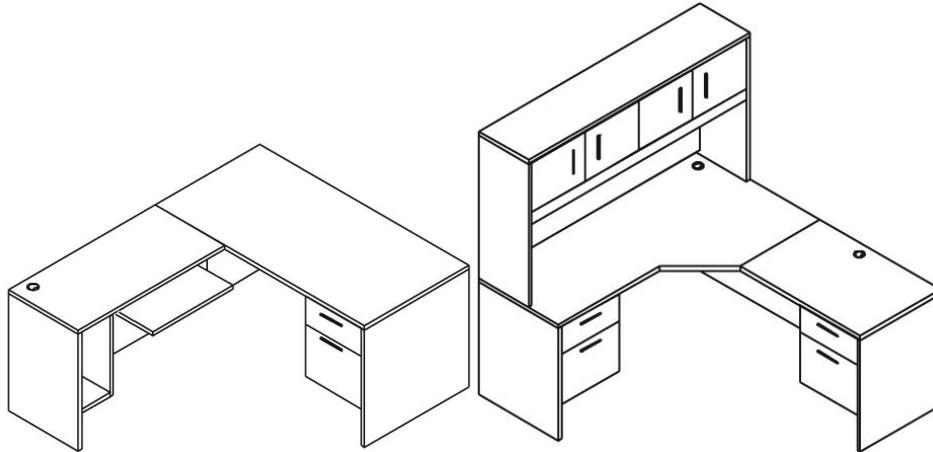


SYSTEMATIX, INC.

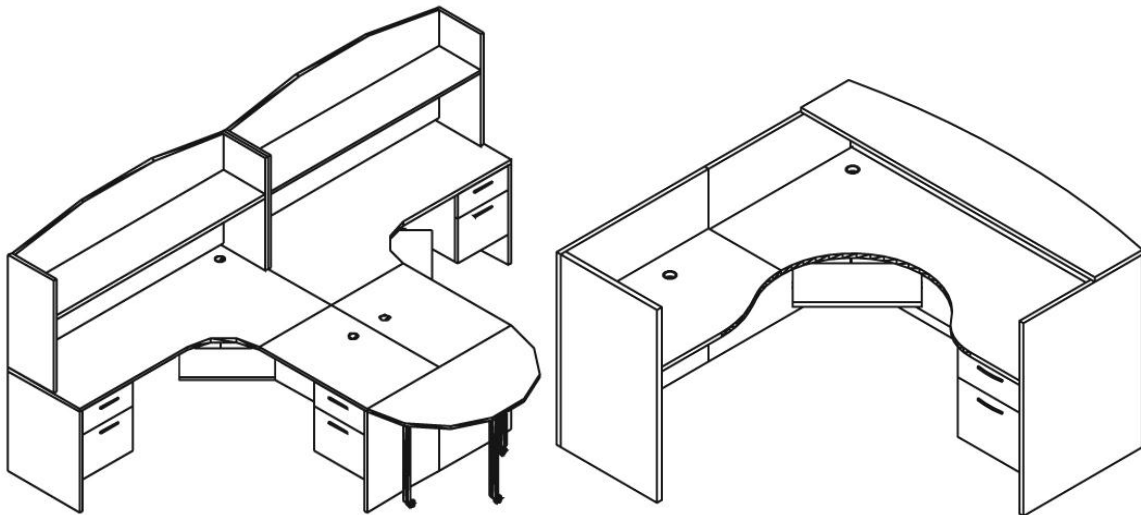
Recommended Articulating Arm/Platform Applications

Where and when to specify articulating keyboard systems



90° Corners – Measure for 17" or 21" tracks. Slimline platforms PDP, Slide-through PSP or dual swing-out PSCP platform. Corner makers are available if you need additional work surface. Use any platform on straight surfaces.

Diagonal Corners – Can use any arm with 21" tracks, but extended arms are still preferable due to the additional flexibility afforded by the extended arm. Care should be taken with PSP slide-through or the PDP rectangular platform.



Radius Corners – Swing-out mouse tray function is preferable so that there is full access to the mouse. The PSCP dual swing-out, PHP single mouse tray and BKP Bamboo single mouse tray systems are recommended.

Wave Corners – Can use any arm with 21" tracks, but extended arms are still preferable due to the additional flexibility afforded by the extended arm. Care should be taken with PSP slide-through or the PDP rectangular platform.